

# advantay

www.advantay.co.uk

## ACF - INSULATED BUFFER TANKS

Class A rated\* for energy efficiency and specifically designed for use with Heat Pump installations to provide a stored volume of heated water which helps to prevent heat pump short cycling, they can increase response times, COP and increase the life span of the heat pump.

Due to the design they also provide the same operation as a low loss header by dividing the flow and return circuit hydraulically in the system to compensate for differences in flow rate and pressure drop.



### SPECIFICATIONS:

Class A Rated 24ltr, 35ltr and 50ltr

Class B rated 100ltr\*

Wall Hung available on all sizes (ACF-P)

Floor standing version for 50ltr and 100ltr (ACF-V)

Carbon Steel

Fully Insulated

Aux port on models can be used for Immersion Heater

Max Pressure 10bar

Min °c -10°c

Max °c +95°c

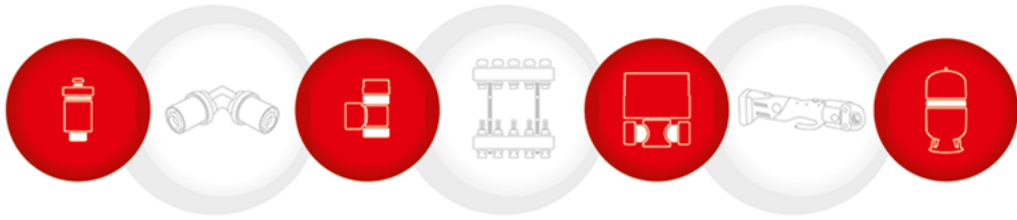
Must be used with a suitable inhibitor

### Wall Hung ACF Buffer Tanks

Code	Size	Flow/Ret	Top Port	Drain Port	Sensor Port	Aux Port	Height	O/D
ACF-24P	24ltr	1-1/4" F x 4	1-1/4" F	1-1/4" F	1/2" BSP F x 2	-	555mm	400mm
ACF-35P	35ltr	1-1/4" F x 4	1-1/4" F	1-1/4" F	1/2" BSP F x 2	1-1/2" F	665mm	400mm
ACF-50P	50ltr	1-1/4" F x 4	1-1/4" F	1-1/4" F	1/2" BSP F x 2	1-1/2" F	880mm	400mm
ACF-100P	100ltr	1-1/2" F x 6	1-1/4" F	1-1/4" F	1/2" BSP F x 3	1-1/2" F	960mm	510mm

### Floor Standing ACF Buffer Tanks

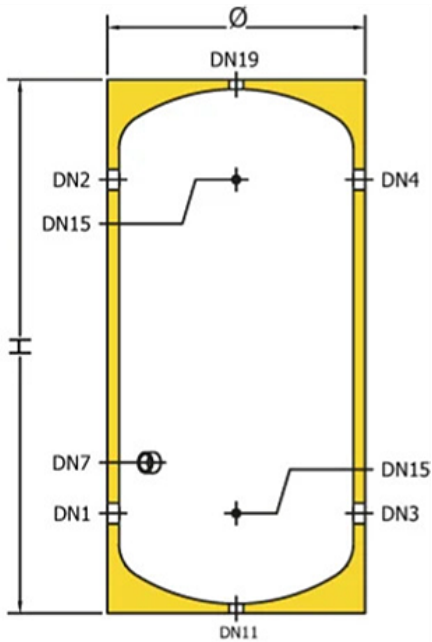
Code	Size	Flow/Ret	Top Port	Bottom Port	Sensor Port	Aux Port	Height	O/D
ACF-50V	50ltr	1-1/4" F x 4	1-1/4" F	-	1/2" BSP F x 2	1-1/2" F	890mm	410mm
ACF-100V	100ltr	1-1/2" F x 4	1-1/4" F	-	1/2" BSP F x 3	1-1/2" F	960mm	510mm



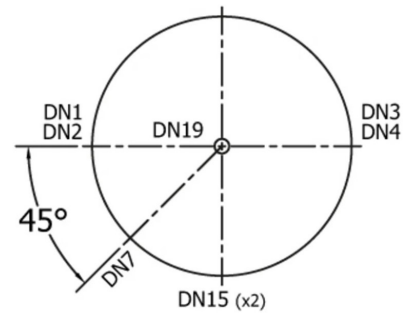
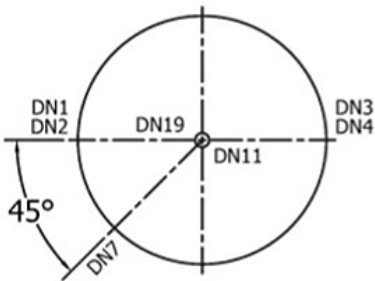
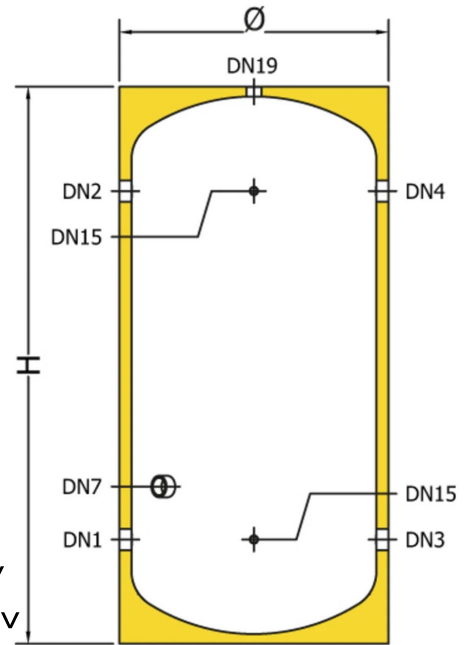
# advantay

www.advantay.co.uk

ACF-24P  
ACF-35P  
ACF-50P



ACF-50V  
ACF-100V



ACF-100P

